



## Horizontal Cable Organizer Rack 19" H-CO series

The horizontal cable organizer H-CO series is designed for installation in 19" ODF cabinets and racks. It ensures a cable management and provide patching of connections between optical fiber tracks without interference.



### features:

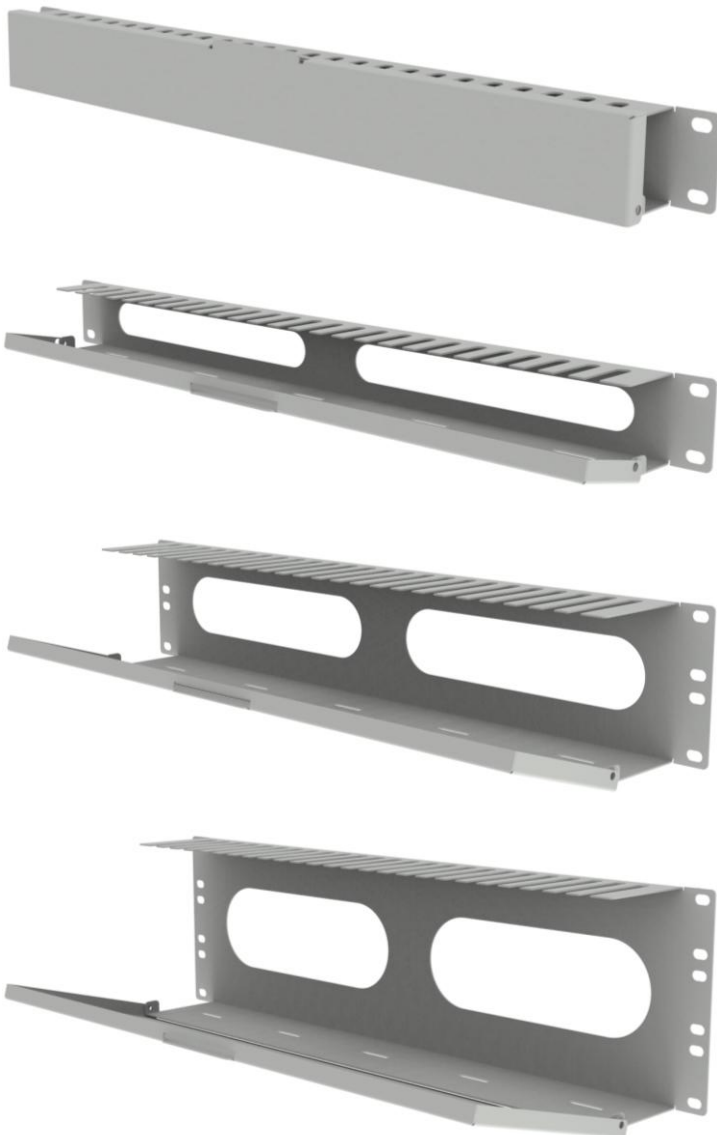
- cable organizer designed for the horizontal organization of patchcords overlength connected into the patch panel,
- dedicated for installation with, among others, PSS, PSW-E and PSW-P series fiber optic patch panels,
- suitable for installation in 19" ODF cabinets and racks,
- prevents cable tangling, improves cable organization and maintenance, and reduces installation work,
- ensures an aesthetic appearance of the installation, easy assembly, and protection of patchcords against accidental damage during cabinet opening and closing,
- Magnelis® sheet is the only metallic coating certified for use in a C5 environment, which provides durability and protection against corrosion.

### elements of equipment:

- velcro tapes,
- mounting kit (4x screws and cage nuts).

### standards and certificates:

- flammability class V0 acc. UL 94,
- PN-EN 62262 - impact protection degree IK 10,
- REACH Regulation No 1907/2006/EC,
- RoHS 2011/65/UE.



visualization of the horizontal cable organizer H-PO series

*The manufacturer reserves the right to make modifications and improvements to the product.  
Therefore, the products shown in the illustrations and photographs may differ slightly from the actual state.*



## Horizontal Cable Organizer Rack 19"

### H-CO series

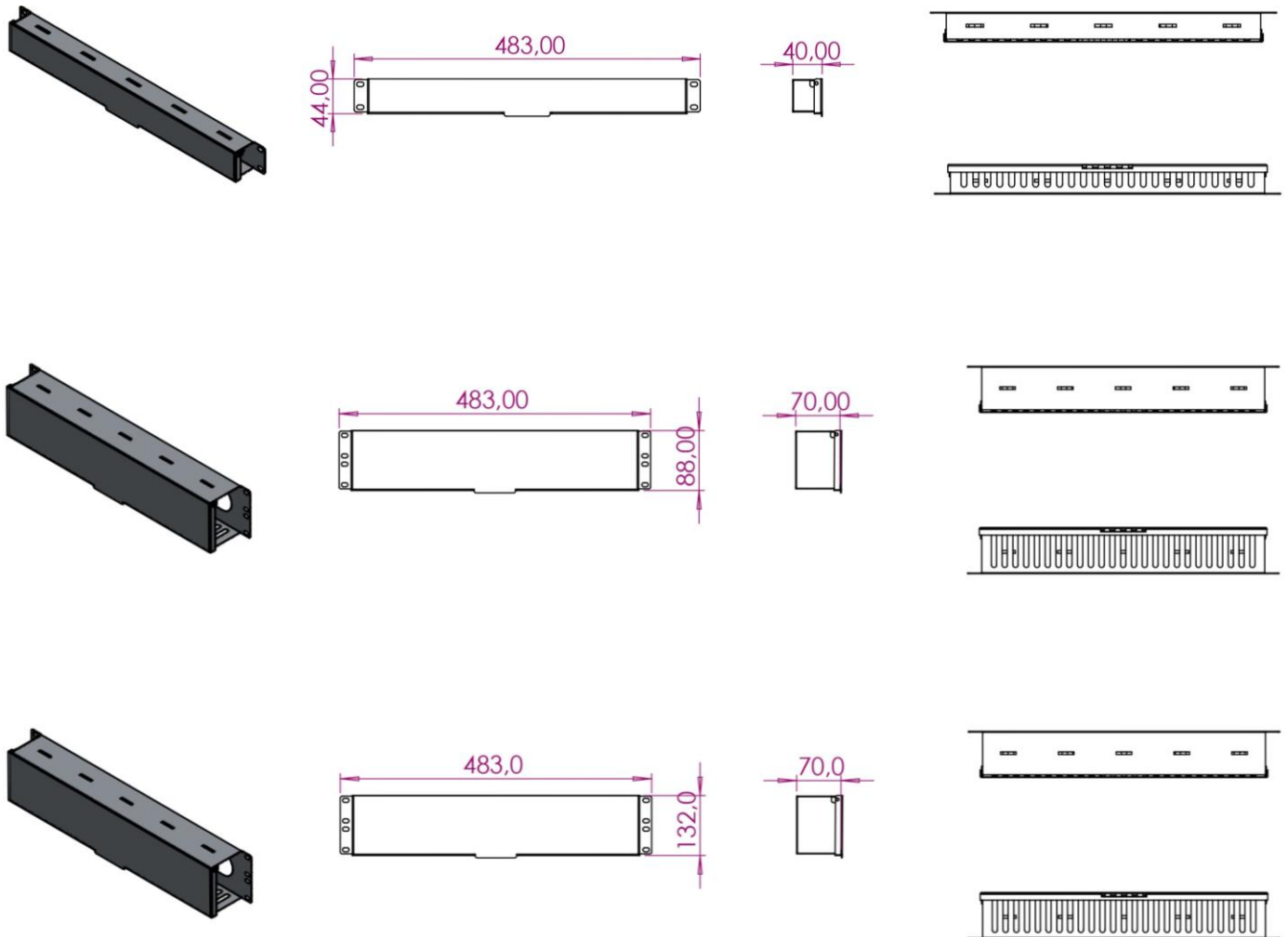
#### technical specifications:

H-CO	1U	2U	3U
dimensions [width x height x depth][mm]	483 x 44 x 40	483 x 88 x 70	483 x 132 x 70
rack standard	19"		
rack unit height [U]	1	2	3
mounting type	front		
temperature resistance [°C]	od -40 do +70		
impact protection degree IK	IK 10		
flammability class	V0 acc. UL 94		
weight [kg]	~0.5	~1.0	~1.3
material	powder painted Magnelis® sheet		
available colors	RAL7035, RAL9005		



## Horizontal Cable Organizer Rack 19" H-CO series

### technical drawings:



### order information:

CODE	DESCRIPTION
H-CO-19"-1U-S-R7035	Horizontal cable organizer rack 19" H-CO-19"-1U-S-R7035, 1U, 483x44x40mm (WxHxD), Magnelis®, structural, RAL7035
H-CO-19"-2U-S-R7035	Horizontal cable organizer rack 19" H-CO-19"-2U-S-R7035, 2U, 483x88x70mm (WxHxD), Magnelis®, structural, RAL7035
H-CO-19"-3U-S-R7035	Horizontal cable organizer rack 19" H-CO-19"-3U-S-R7035, 3U, 483x132x70mm (WxHxD), Magnelis®, structural, RAL7035