



## Operator Optical Distribution Wall Box RDD series with cable spare section

Operator optical distribution wall box without cable spare section used in indoor FTTx access optical networks, mainly in multi-level buildings.



visualization of the closed RDD box with cable spare section



visualization of the open RDD box with cable spare section

### features:

- optical distribution box provides a high density wall mounted solution for fiber optic network inside the building, which aims to provide and manage fiber distribution in a limited space,
- possibility of mounting connector standards: SC duplex, LC quad,
- optical distribution box equipped with double doors locked with a key, key code depending on preferences can be repeatable or different,
- partition with a commutation field separating the line section from the subscriber section,
- possibility of storing a line cable tubes spare and also cable spare (in the series with a spare section),
- comes with dust proof cable entries on the top and bottom of the box,
- dedicated space for Black Box splitters with a management section or mini metal box installed on the splice cassette,
- Magnelis® sheet is the only metallic coating certified for use in a C5 environment, which provides durability and protection against corrosion.

### elements of equipment:

- commutation field (acc. to configuration),
- 2x central strength member holder (FRP rod).

### equipment ordered separately:

- fiber splice cassettes (acc. to configuration),
- rubber grommets (acc. to configuration).

### standards and certificates:

- flammability class V0 acc. UL 94,
- PN-EN 60529 - ingress protection degree IP 41,
- PN-EN 62262 - impact protection degree IK 10,
- RoHS 2011/65/UE.

*The manufacturer reserves the right to make modifications and improvements to the product. Therefore, the products shown in the illustrations and photographs may differ slightly from the actual state.*



## Operator Optical Distribution Wall Box RDD series with cable spare section

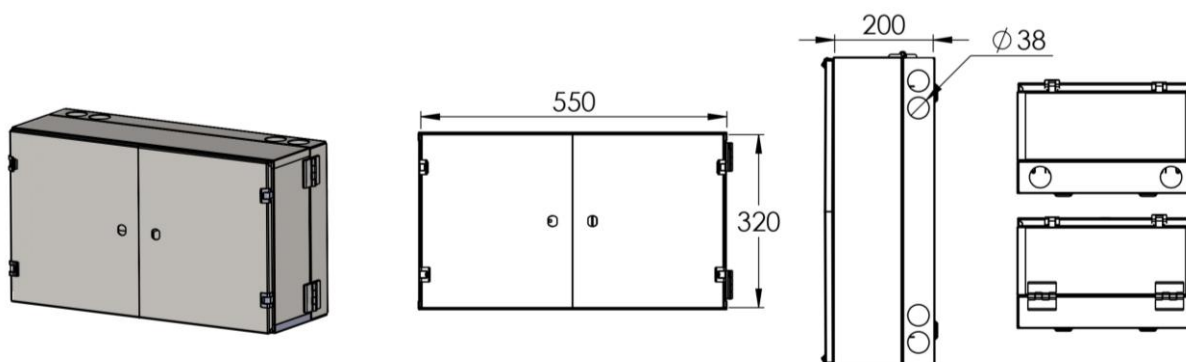
### technical specifications:

<b>RDD-ZK</b>	<b>48</b>
dimensions [width x height x depth][mm]	550 x 320 x 200
number of linear SC duplex type commutation field	4
number of subscriber SC duplex type commutation field	48
connector standards	SC duplex, LC quad
type of fiber splice cassette	KS-03-24
splice cassette capacity [F]	24
max. number of fiber splice cassettes in the linear section	3
max. number of fiber splice cassettes in the subscriber section	4
max. splice capacity [F]	72
recommended length of pigtails [m]	2 – 2.5
type of cable entry	breakable cable slot / hole cap
diameter of cable entry [mm]	∅ 38
number of cable entries	10 ( 4x top / 2x side / 4x bottom )
temperature resistance [°C]	from -40 to +70
ingress protection degree IP	IP 41
impact protection degree IK	IK 10
flammability class	V0 acc. UL 94
weight [kg]	~9.0
material	powder painted Magnelis® sheet
available colors	RAL7035



## Operator Optical Distribution Wall Box RDD series with cable spare section

### technical drawings:



### order information:

CODE	DESCRIPTION
RDD-55/32/20-48-SCD-ZK-R7035	Operator optical distribution box with cable spare section RDD-55/32/20-48-SCD-ZK-R7035, 48 ports SC duplex, without splice cassettes, 550x320x200mm (WxHxD), Magnelis®, structural, RAL7035