



Operator Optical Distribution Wall Box RDD series with cable spare section

Operator optical distribution wall box without cable spare section used in indoor FTTx access optical networks, mainly in multi-level buildings.



visualization of the closed RDD box with cable spare section



visualization of the open RDD box with cable spare section

features:

- optical distribution box provides a high density wall mounted solution for fiber optic network inside the building, which aims to provide and manage fiber distribution in a limited space,
- possibility of mounting connector standards: SC simplex, E2000 simplex, LC duplex,
- optical distribution box equipped with double doors locked with a key, key code depending on preferences can be repeatable or different,
- partition with a commutation field separating the line section from the subscriber section,
- possibility of storing a line cable tubes spare and also cable spare (in the series with a spare section),
- comes with dust proof cable entries on the top and bottom of the box,
- dedicated space for Black Box splitters with a management section or mini metal box installed on the splice cassette,
- Magnelis® sheet is the only metallic coating certified for use in a C5 environment, which provides durability and protection against corrosion.

elements of equipment:

- commutation field (acc. to configuration),
- 2x central strength member holder (FRP rod).

equipment ordered separately:

- fiber splice cassettes (acc. to configuration),
- rubber grommets (acc. to configuration).

standards and certificates:

- flammability class V0 acc. UL 94,
- PN-EN 60529 - ingress protection degree IP 41,
- PN-EN 62262 - impact protection degree IK 10,
- RoHS 2011/65/UE.

The manufacturer reserves the right to make modifications and improvements to the product. Therefore, the products shown in the illustrations and photographs may differ slightly from the actual state.



Operator Optical Distribution Wall Box RDD series with cable spare section

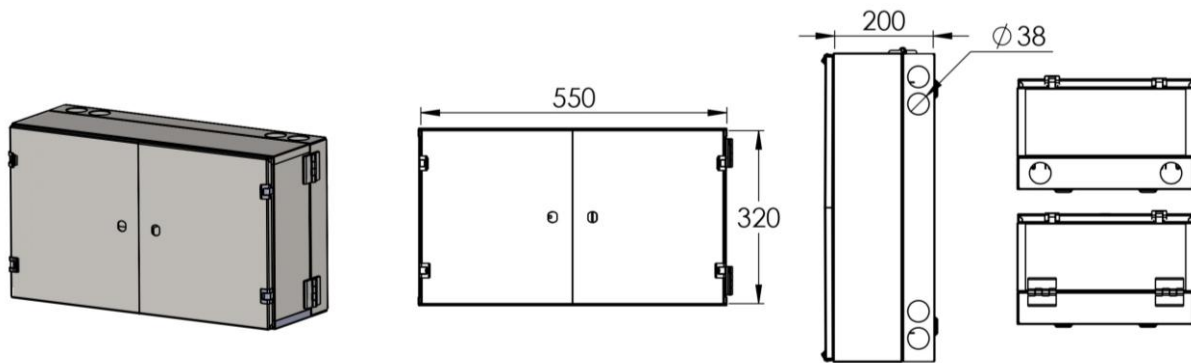
technical specifications:

RDD-ZK	72
dimensions [width x height x depth][mm]	550 x 320 x 200
number of linear SC duplex type commutation field	4
number of subscriber SC simplex type commutation field	72
connector standards	SC simplex, E2000 simplex, LC duplex
type of fiber splice cassette	KS-03-24
splice cassette capacity [F]	24
max. number of fiber splice cassettes in the linear section	3
max. number of fiber splice cassettes in the subscriber section	4
max. splice capacity [F]	72
recommended length of pigtails [m]	2 – 2.5
type of cable entry	breakable cable slot / hole cap
diameter of cable entry [mm]	∅ 38
number of cable entries	10 (4x top / 2x side / 4x bottom)
temperature resistance [°C]	from -40 to +70
ingress protection degree IP	IP 41
impact protection degree IK	IK 10
flammability class	V0 acc. UL 94
weight [kg]	~9.0
material	powder painted Magnelis® sheet
available colors	RAL7035



Operator Optical Distribution Wall Box RDD series with cable spare section

technical drawings:



order information:

CODE	DESCRIPTION
RDD-55/32/20-72-SCS-ZK-R7035	Operator optical distribution box with cable spare section RDD-55/32/20-72-SCS-ZK-R7035, 72 ports SC simplex, without splice cassettes, 550x320x200mm (WxHxD), Magnelis®, structural, RAL7035