



## Anti-Burglary 19" Rack Cabinet SA-ZNK series

An anti-burglary wall-mounted 19-inch rack cabinet designed to protect critical components of both active and passive telecommunications networks, as well as various types of electrical infrastructure components. This product line provides a high level of burglary resistance.



visualization of the closed anti-burglary cabinet SA-ZNK series



visualization of the open anti-burglary cabinet SA-ZNK series

### features:

- designed for wall mounting in locations particularly vulnerable to vandalism or unauthorized access,
- rack solution allows the installation of devices adapted to the 19-inch standard,
- guarantees complete and effective protection of electrical installation components, controllers, and all types of control systems and equipment against external factors,
- protects against mechanical damage and acts of vandalism,
- the anti-burglary cabinet is equipped with a sliding cover secured by two T-13/8 shackle padlocks with identical key codes,
- offers additional protection by limiting access to unauthorized personnel,
- Magnelis® sheet is the only metallic coating certified for use in a C5 environment, which provides durability and protection against corrosion.

### equipment ordered separately:

- Barcz shackle padlocks, model T-13/8.

### standards and certificates:

- flammability class V0 acc. UL 94,
- PN-EN 60529 - ingress protection degree IP 41,
- PN-EN 62262 - impact protection degree IK 10,
- REACH Regulation No 1907/2006/EC,
- RoHS 2011/65/UE.

*The manufacturer reserves the right to make modifications and improvements to the product.  
Therefore, the products shown in the illustrations and photographs may differ slightly from the actual state.*



## Anti-Burglary 19" Rack Cabinet SA-ZNK series

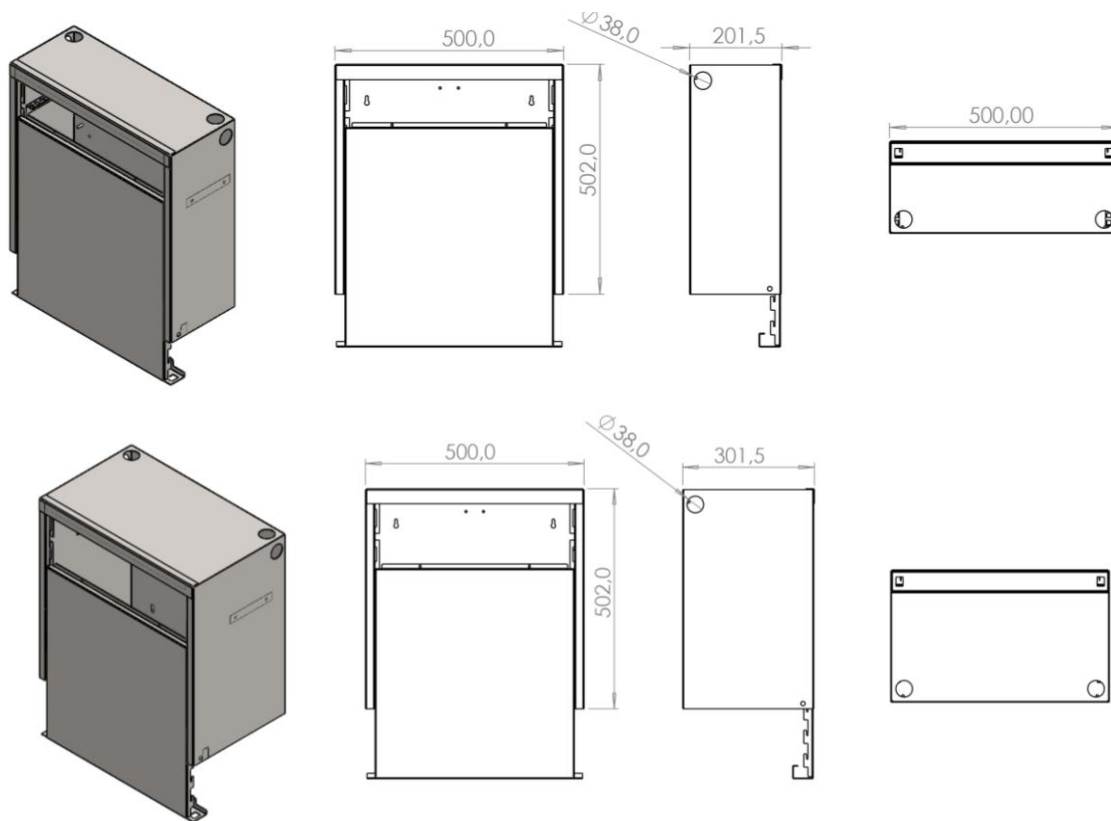
### technical specifications:

SA-ZNK-19"	3U	5U		
dimensions [width x height x depth][mm]	500 x 500 x 200	500 x 500 x 300	580 x 580 x 300	700 x 580 x 300
rack standard	19"			
rack unit height [U]	3	5		
telescopic rack rails	NO	YES		
type of cable entry	breakable cable slot / hole cap			
diameter of cable entry [mm]	ø 38mm			
number of cable entries	6 ( 2x top, 2x bottom, 1x side, 1x side )			
protection type	shackle padlocks model T-13/8			
mounting type	indoor, wall-mounted			
temperature resistance [°C]	from -40 to +70			
ingress protection degree IP	IP 41			
impact protection degree IK	IK 10			
flammability class	V0 acc. UL 94			
weight [kg]	~12.0	~14.5	~15.0	~19.0
material	powder painted Magnelis® sheet			
available colors	RAL7035			



## Anti-Burglary 19" Rack Cabinet SA-ZNK series

### technical drawings:



### order information:

CODE	DESCRIPTION
SA-500/500/200-ZNK-19"-S-3U-S-R7035	Anti-burglary 19" rack cabinet SA-500/500/200-ZNK, indoor, wall-mounted, padlock, static rack rails, 500x500x200mm (WxHxD), Magnelis®, structural, RAL7035
SA-500/500/300-ZNK-19"-W-5U-S-R7035	Anti-burglary 19" rack cabinet SA-500/500/300-ZNK, indoor, wall-mounted, padlock, telescopic rack rails, 500x500x300mm (WxHxD), Magnelis®, structural, RAL7035
SA-580/580/300-ZNK-19"-W-5U-S-R7035	Anti-burglary 19" rack cabinet SA-580/580/300-ZNK, indoor, wall-mounted, padlock, telescopic rack rails, 580x580x300mm (WxHxD), Magnelis®, structural, RAL7035
SA-700/580/300-ZNK-19"-W-5U-S-R7035	Anti-burglary 19" rack cabinet SA-700/580/300-ZNK, indoor, wall-mounted, padlock, telescopic rack rails, 700x580x300mm (WxHxD), Magnelis®, structural, RAL7035