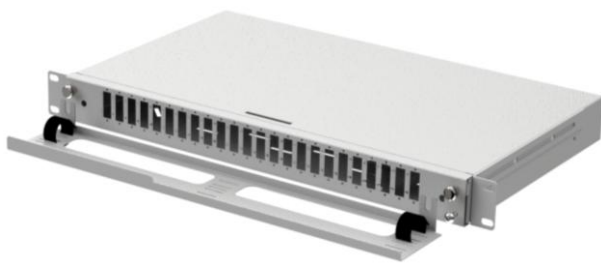




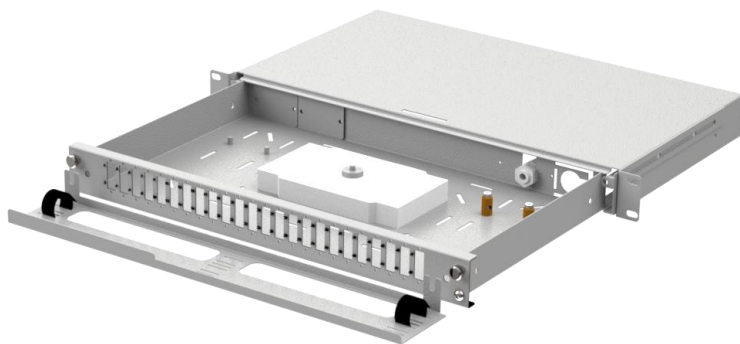
## FO Pull-Out Patch Panel

### PSW-E SC duplex series – without telescopic rails

The pull-out fiber optic patch panel PSW series is designed for installation in 19" ODF cabinets and racks with a minimum depth of 300 mm. It ensures the termination of optical fibers and provide patching of connections between optical fiber tracks without interference.



visualization of the closed FO pull-out patch panel PSW-E series



visualization of the open FO pull-out patch panel PSW-E series

#### features:

- fiber optic patch panel enables termination of up to 144 optical fibers,
- possibility of mounting connector standards: SC duplex, LC quad,
- designed for installation in 19" or 21" (with additional reducers) ODF cabinets and racks,
- PG13.5 gland allows the installation of a line cable ( $\varnothing$  8-12 mm) or a multipatchcord into the patch panel,
- well organized spare area of the patch panel guarantees safe bending radius, thanks to integrated handles and perforations for cable ties,
- numbering on the front panel is permanent applied by screen printing,
- the patch panel has a pull-out drawer locked with two anti-lost screws, which significantly increases the comfort of work during installation and maintenance,
- smooth adjustment of the mounting depth allows it to be adapted to any cabinet or rack,
- Magnelis® sheet is the only metallic coating certified for use in a C5 environment, which provides durability and protection against corrosion.

#### elements of equipment:

- 2x central strength member holder (FRP rod),
- 2x PG13.5 cable glands,
- mounting kit (4x screws and cage nuts).

#### equipment ordered separately:

- fiber splice cassettes KS-03-24,
- anti-rodent protection – caps,
- patchcord organizer PP-A-19"-1U.

#### standards and certificates:

- flammability class V0 acc. UL 94,
- PN-EN 60529 - ingress protection degree IP 41,
- PN-EN 62262 - impact protection degree IK 10,
- REACH Regulation No 1907/2006/EC,
- RoHS 2011/65/UE.

*The manufacturer reserves the right to make modifications and improvements to the product. Therefore, the products shown in the illustrations and photographs may differ slightly from the actual state.*



## FO Pull-Out Patch Panel

### PSW-E SC duplex series – without telescopic rails

#### technical specifications:

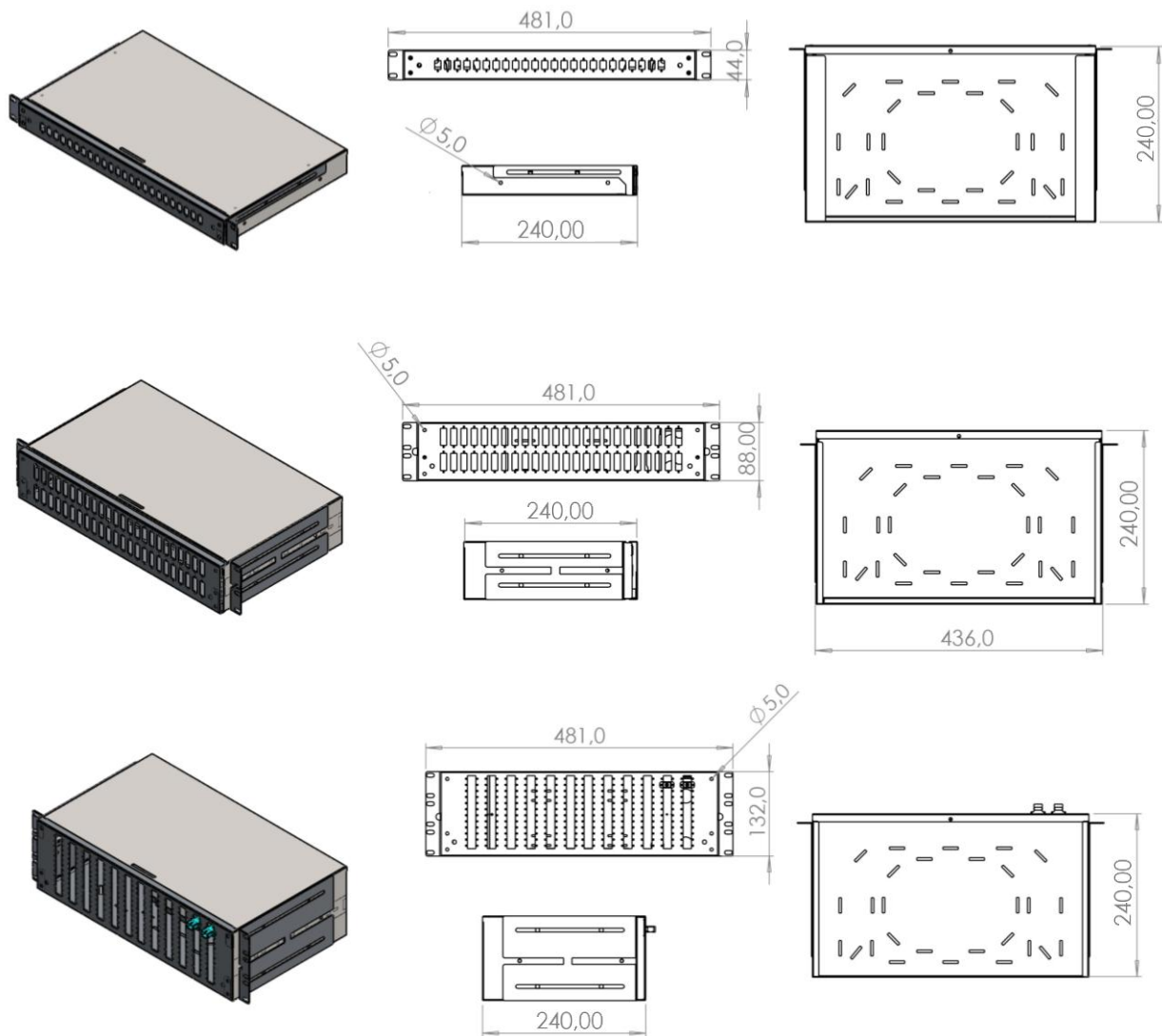
PSW-E	1U	2U	3U
dimensions [width x height x depth][mm]	483 x 44 x 240	483 x 88 x 240	483 x 132 x 240
rack unit height [U]	1	2	3
number of SC duplex ports	24	48	72
connector standards	SC duplex, LC quad		
type of fiber splice cassette	KS-03-24		
splice cassette capacity [F]	24		
max. number of fiber splice cassettes	3	7	13
max. splice capacity [F]	72	168	312
recommended length of pigtails [m]	2 – 2.5		
type of cable entry	PG13.5 cable gland		
diameter of cable entry [mm]	22.5		
number of cable entries	4x rear		
central strength member holder (FRP rod)	YES		
adjustment of the installation depth	YES		
mounting type	front / rear		
anti-rodent protection	YES		
temperature resistance [°C]	from -40 to +70		
ingress protection degree IP	IP 41		
impact protection degree IK	IK 10		
flammability class	V0 acc. UL 94		
weight [kg]	~2.2	~3.0	~3.5
material	powder painted Magnelis® sheet		
available colors	RAL7035, RAL9005		



## FO Pull-Out Patch Panel

PSW-E SC duplex series – without telescopic rails

### technical drawings:



### order information:

CODE	DESCRIPTION
PSW-E-19"-240-1U-12-SCD-0K3-S-R7035	FO pull-out patch panel PSW-E-19"-240-1U-12, without telescopic rails, 12 ports SC duplex, without splice cassettes, Magnelis®, structural, RAL7035
PSW-E-19"-240-1U-24-SCD-0K3-S-R7035	FO pull-out patch panel PSW-E-19"-240-1U-24, without telescopic rails, 24 ports SC duplex, without splice cassettes, Magnelis®, structural, RAL7035
PSW-E-19"-240-2U-48-SCD-0K3-S-R7035	FO pull-out patch panel PSW-E-19"-240-2U-48, without telescopic rails, 48 ports SC duplex, without splice cassettes, Magnelis®, structural, RAL7035
PSW-E-19"-240-3U-72-SCD-0K3-S-R7035	FO pull-out patch panel PSW-E-19"-240-3U-72, without telescopic rails, 72 ports SC duplex, without splice cassettes, Magnelis®, structural, RAL7035