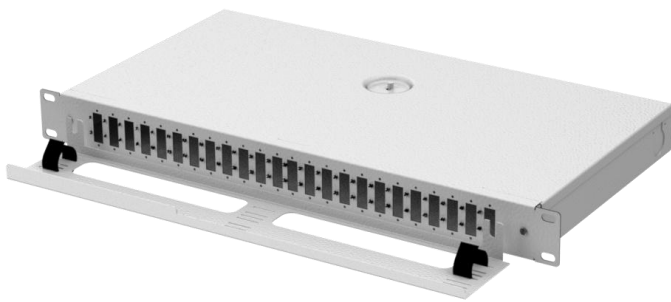


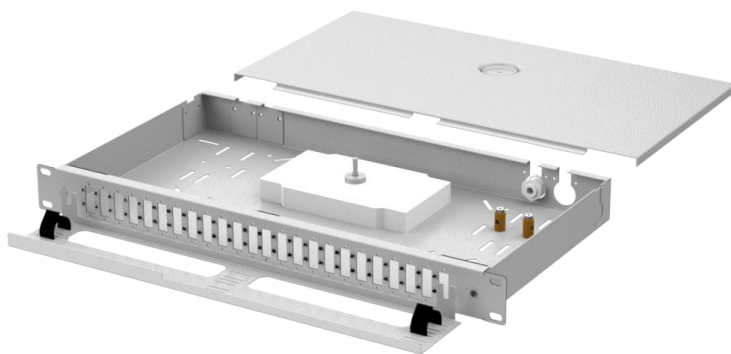


FO Solid Patch Panel PSS SC duplex series

The solid fiber optic patch panel PSS series is designed for installation in 19" ODF cabinets and racks with a minimum depth of 300 mm. It ensures the termination of optical fibers and provide patching of connections between optical fiber tracks without interference.



visualization of the closed FO solid patch panel PSS series



visualization of the open FO solid patch panel PSS series

features:

- fiber optic patch panel enables termination of up to 288 optical fibers,
- possibility of mounting connector standards: SC duplex, LC quad,
- designed for installation in 19" or 21" (with additional reducers) ODF cabinets and racks,
- PG13.5 gland allows the installation of a line cable (ø 8-12 mm) or a multipatchcord into the patch panel,
- well organized spare area of the patch panel guarantees safe bending radius, thanks to integrated handles and perforations for cable ties,
- numbering on the front panel is permanent applied by screen printing,
- the solid construction of the patch panel is the most effective protection against unauthorized access,
- Magnelis® sheet is the only metallic coating certified for use in a C5 environment, which provides durability and protection against corrosion.

elements of equipment:

- 2x central strength member holder (FRP rod),
- 2x PG13.5 cable glands,
- fiber splice cassettes (acc. to configuration),
- mounting kit (4x screws and cage nuts).

equipment ordered separately:

- anti-rodent protection – caps,
- patchcord organizer PP-A-19"-1U.

standards and certificates:

- flammability class V0 acc. UL 94,
- PN-EN 60529 - ingress protection degree IP 41,
- PN-EN 62262 - impact protection degree IK 10,
- REACH Regulation No 1907/2006/EC,
- RoHS 2011/65/UE.

The manufacturer reserves the right to make modifications and improvements to the product. Therefore, the products shown in the illustrations and photographs may differ slightly from the actual state.



FO Solid Patch Panel

PSS SC duplex series

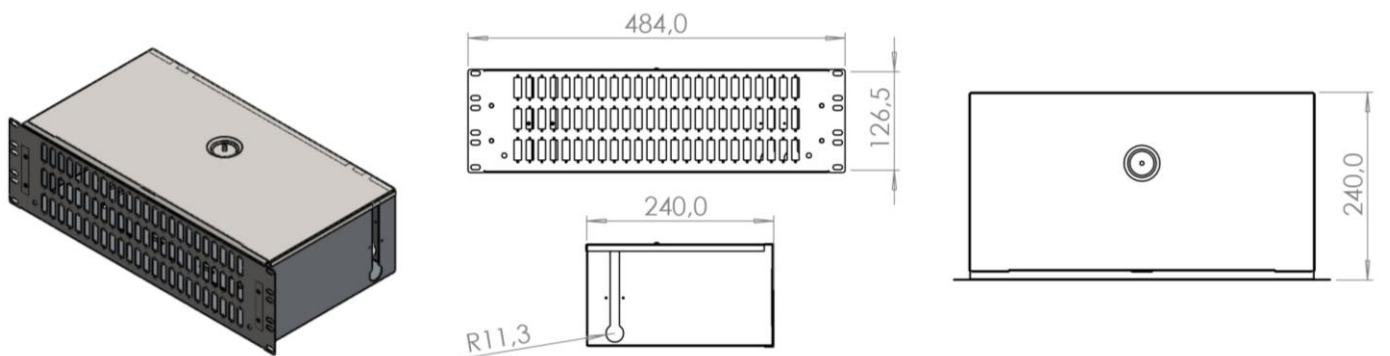
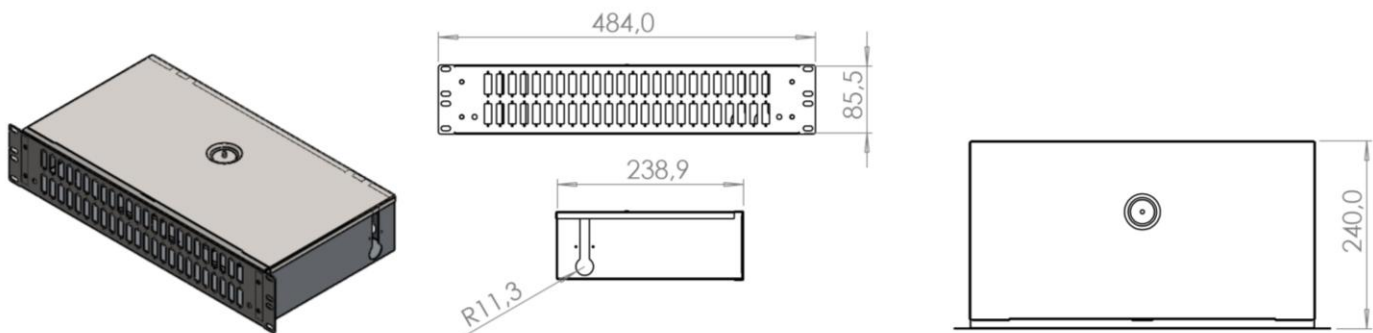
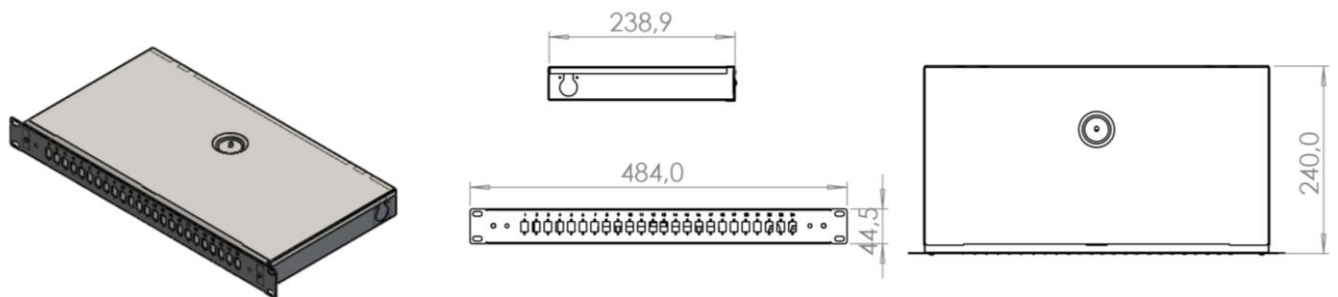
technical specifications:

PSS	1U	2U	3U
dimensions [width x height x depth][mm]	483 x 44 x 240	483 x 88 x 240	483 x 132 x 240
rack unit height [U]	1	2	3
number of SC duplex ports	12 – 24	48	72
connector standards	SC duplex, LC quad		
type of fiber splice cassette	KS-03-24		
splice cassette capacity [F]	24		
max. number of fiber splice cassettes	3	7	13
max. splice capacity [F]	72	168	312
recommended length of pigtails [m]	2 – 2.5		
type of cable entry	PG13.5 cable gland		
diameter of cable entry [mm]	22.5		
number of cable entries	6 (4x rear / 2x side)		
central strength member holder (FRP rod)	YES		
adjustment of the installation depth	NO		
mounting type	front / rear		
anti-rodent protection	YES		
temperature resistance [°C]	from -40 to +70		
ingress protection degree IP	IP 41		
impact protection degree IK	IK 10		
flammability class	V0 acc. UL 94		
weight [kg]	~2.3	~3.0	~3.5
material	powder painted Magnelis® sheet		
available colors	RAL7035, RAL9005		



FO Solid Patch Panel
PSS SC duplex series

technical drawings:



order information:

CODE	DESCRIPTION
PSS-19"-240-1U-12-SCD-1K3-S-R7035	FO solid patch panel PSS-19"-240-1U-12, 12 ports SC duplex, 1 splice cassette with cover, Magnelis®, structured, RAL7035
PSS-19"-240-1U-24-SCD-2K3-S-R7035	FO solid patch panel PSS-19"-240-1U-24, 24 ports SC duplex, 2 splice cassettes with cover, Magnelis®, structured, RAL7035
PSS-19"-240-2U-48-SCD-4K3-S-R7035	FO solid patch panel PSS-19"-240-2U-48, 48 ports SC duplex, 4 splice cassettes with cover, Magnelis®, structured, RAL7035
PSS-19"-240-3U-72-SCD-6K3-S-R7035	FO solid patch panel PSS-19"-240-3U-72, 72 ports SC duplex, 6 splice cassettes with cover, Magnelis®, structured, RAL7035