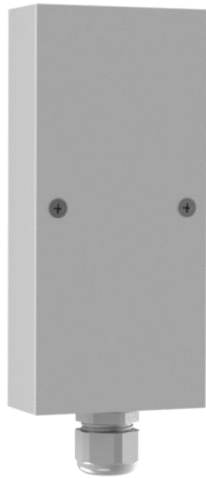


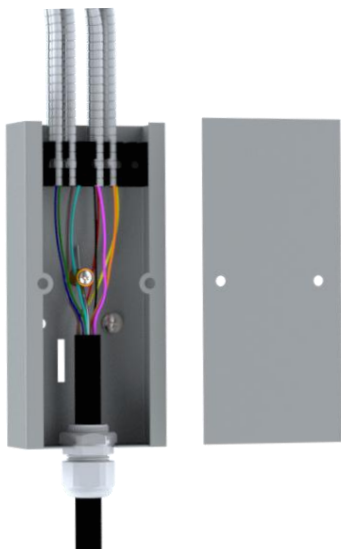


Fiber Optic Tube Divider RT series

Fiber optic tube divider designed for branching of cable tubes and fixing of the central strength member holder.



visualization of the closed RT divider



visualization of the open RT divider

features:

- fiber optic divider allows for branching, lead-out and protection of the loose tube cable inside the rack cabinet,
- dedicated holder enables tool-free organization, separation and protection of cable tubes,
- capacity up to 24 Miniflex® protection tubes (ø 5 mm),
- PG19 gland allows the installation of a line cable (ø 12 -15 mm),
- divider adapted for cable entry from the bottom of the housing,
- designed to be mounted on the LRT rail or TH35 mounting rail,
- Magnelis® sheet is the only metallic coating certified for use in a C5 environment, which provides durability and protection against corrosion.

elements of equipment:

- 1x PG19 cable glands,
- 1x central strength member holder (FRP rod),
- DIN 35 mm rail holder (EN 60715),
- mounting kit (2x screws and cage nuts).

standards and certificates:

- flammability class V0 acc. UL 94,
- PN-EN 60529 - ingress protection degree IP 41,
- PN-EN 62262 - impact protection degree IK 10,
- REACH Regulation No 1907/2006/EC,
- RoHS 2011/65/UE.

*The manufacturer reserves the right to make modifications and improvements to the product.
Therefore, the products shown in the illustrations and photographs may differ slightly from the actual state.*



Fiber Optic Tube Divider RT series

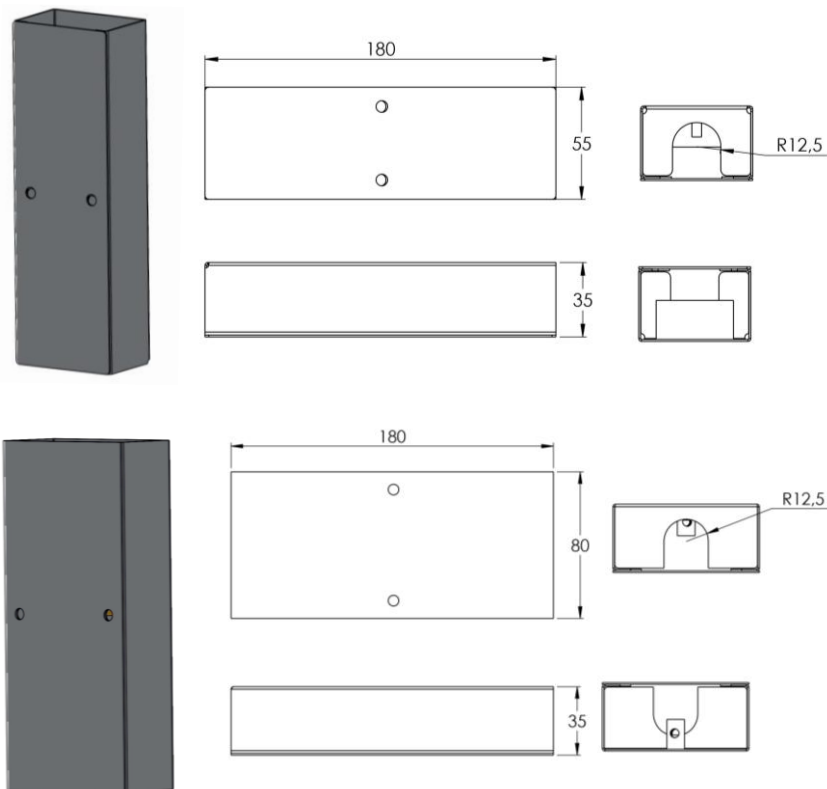
technical specifications:

RT	12	24
dimensions [width x height x depth][mm]	55 x 180 x 35	100 x 180 x 35
tube holder capacity	12	24
max. diameter of protective tube [mm]	ø 5	
type of cable entry	PG19 cable gland	
diameter of cable entry [mm]	ø 25	
number of cable entries	1	
central strength member holder (FRP rod)	YES	
mounting type	indoor, inside a rack	
compatibility	DIN 35 mm mounting rail (EN 60715) or fiber optic tube divider rail LRT-19"-1U	
max. number of dividers mounted on the LRT rail	6	3
temperature resistance [°C]	from -40 to +70	
ingress protection degree IP	IP 41	
impact protection degree IK	IK 10	
flammability class	V0 acc. UL 94	
weight [kg]	~0.3	~0.4
material	powder painted Magnelis® sheet	
available colors	RAL7035	



Fiber Optic Tube Divider RT series

technical drawings:



order information:

CODE	DESCRIPTION
RT-12-55/180/35-G-R7035	Fiber optic tube divider RT-12 for up to 12 line cable tubes, PG19, 55x180x35mm (WxHxD), Magnelis®, smooth, RAL7035
RT-24-80/180/35-G-R7035	Fiber optic tube divider RT-24 for up to 24 line cable tubes, PG19, 100x180x35mm (WxHxD), Magnelis®, smooth, RAL7035
LRT-19"-1U-G-R7035	Fiber optic tube divider rail LRT-19"-1U-R7035, 1U, capacity 6x RT-12 / 3x RT-24, 483x44x8mm (WxHxD), Magnelis®, smooth, RAL7035