



Adjustable Rack Shelf RPR-19" series

The adjustable rack shelf RPR-19 series is designed for installation in 19" ODF cabinets and racks. It ensures the installation of devices and accessories without RACK mounting brackets in server and telecommunication cabinets.



visualization of the adjustable rack shelf RPR series

features:

- designed for installation in 19" or 21" (with additional reducers) ODF cabinets and racks,
- smooth depth adjustment to fit inside a ODF cabinet or rack,
- the shelf has many perforations to ensure proper heat dissipation from the devices placed on it,
- high-quality construction with 4-point mounting provides durability and structural stability,
- Magnelis® sheet is the only metallic coating certified for use in a C5 environment, which provides durability and protection against corrosion.

standards and certificates:

- flammability class V0 acc. UL 94,
- PN-EN 62262 - impact protection degree IK 10,
- REACH Regulation No 1907/2006/EC,
- RoHS 2011/65/UE.

*The manufacturer reserves the right to make modifications and improvements to the product.
Therefore, the products shown in the illustrations and photographs may differ slightly from the actual state.*



Adjustable Rack Shelf RPR-19" series

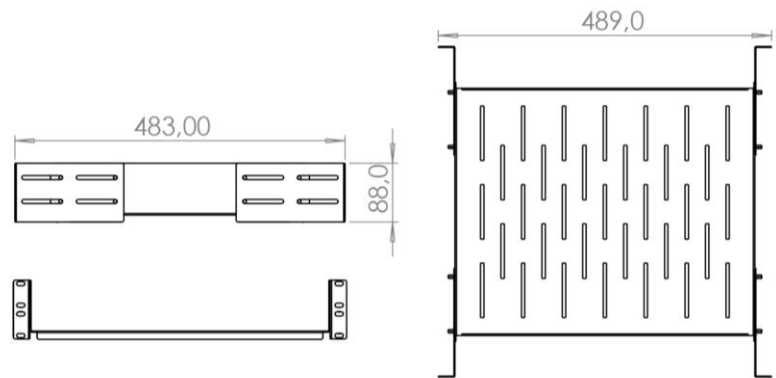
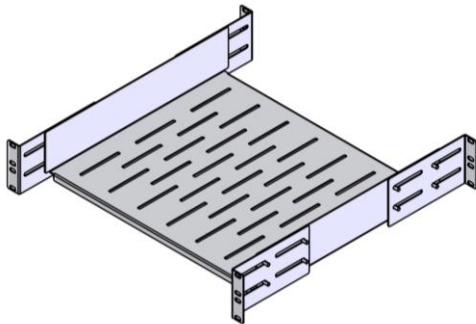
technical specifications:

RPR-19"	2U
dimensions [width x height x depth][mm]	483 x 88 x 480
rack unit height [U]	2
adjustment of the installation depth	YES
adjustment range	380 - 480
mounting type	front
temperature resistance [°C]	from -40 to +70
impact protection degree IK	IK 10
flammability class	V0 acc. UL 94
weight [kg]	~4
material	powder painted Magnelis® sheet
available colors	RAL7035, RAL9005



Adjustable Rack Shelf RPR-19" series

technical drawings:



order information:

CODE	DESCRIPTION
RPR-19"-480-2U-S-R7035	Adjustable rack shelf RPR-19"-480-2U, 483x88x480mm (WxHxD), Magnelis®, structured, RAL7035
RPR-19"-480-2U-S-R9005	Adjustable rack shelf RPR-19"-480-2U, 483x88x480mm (WxHxD), Magnelis®, structured, RAL9005