



Wall-Mounted 19" Rack Cabinet TPR series - indoor

Wall-mounted 19-inch rack cabinet is an ideal solution for small and medium telecommunication and computer networks, telecom and power engineering, industrial CCTV and can also be widely used in sound systems and automation systems.



visualization of the closed TPR 19" rack cabinet



visualization of the open TPR 19" rack cabinet

features:

- rack cabinet is designed for wall mounting in offices, network server rooms and CCTV control rooms,
- rack solution allows the installation of devices adapted to the 19-inch standard,
- cabinets are available in various sizes and configurations, which allows for optimal cable management and safe storage of network equipment,
- guarantees quick and trouble-free access to devices, which significantly improves maintenance,
- design of the cabinet ensures proper heat dissipation which protects the devices from overheating,
- rack cabinet equipped with doors locked with a key, key code depending on preferences can be repeatable or different,
- maximum opening angle of the front door up to 120°,
- durable and reliable construction allows for easy and fast wall installation,
- there are various options for inserting cables in the rear part of the cabinet, we can inset them both from the top and from the bottom after removing the cap,
- Magnelis® sheet is the only metallic coating certified for use in a C5 environment, which provides durability and protection against corrosion.

elements of equipment:

- grounding kit.

standards and certificates:

- flammability class V0 acc. UL 94,
- PN-EN 60529 - ingress protection degree IP 20,
- PN-EN 62262 - impact protection degree IK 10,
- REACH Regulation No 1907/2006/EC,
- RoHS 2011/65/UE.

The manufacturer reserves the right to make modifications and improvements to the product. Therefore, the products shown in the illustrations and photographs may differ slightly from the actual state.



Wall-Mounted 19" Rack Cabinet TPR series - indoor

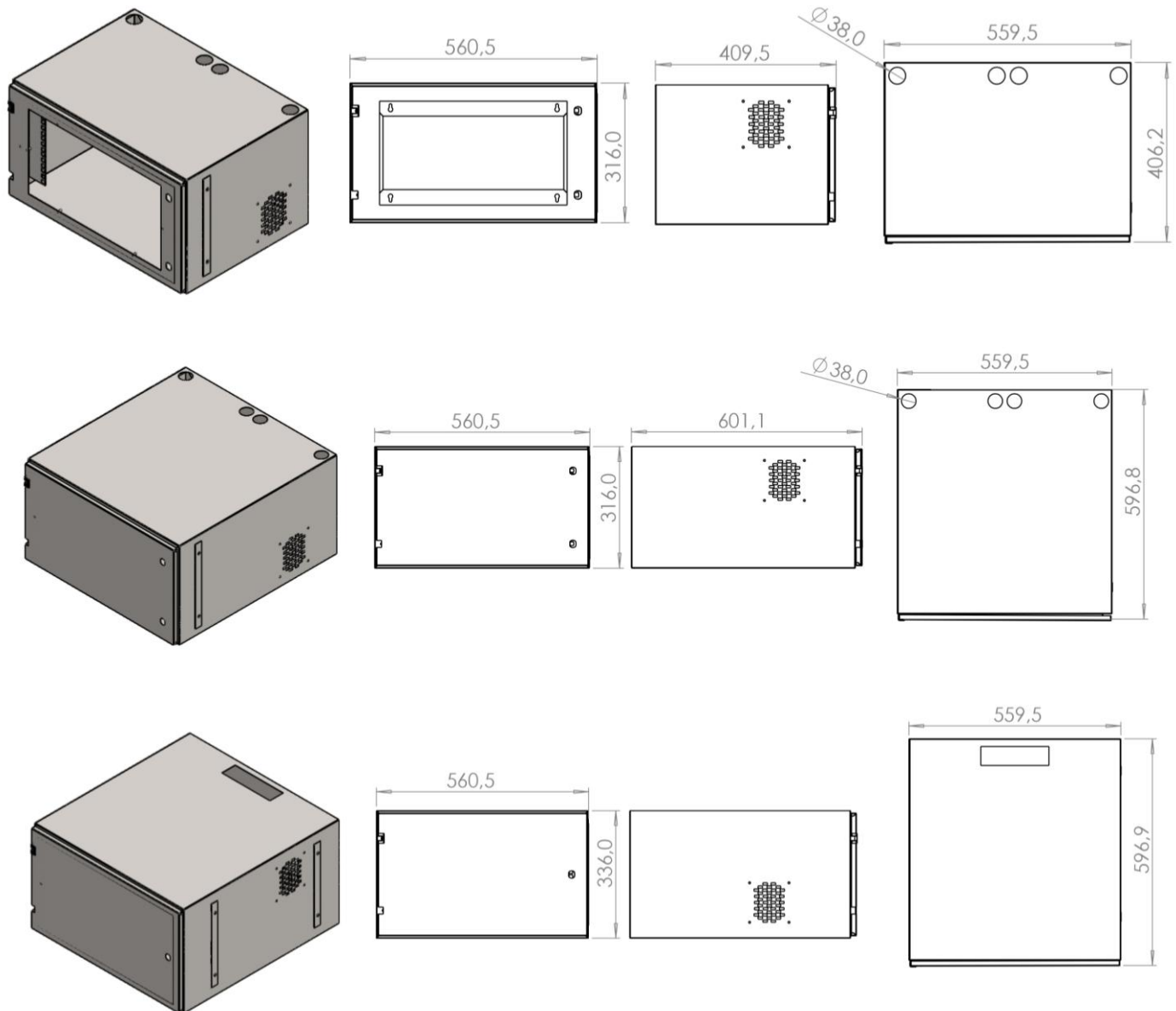
technical specifications:

TPR-19"	6U			
dimensions [width x height x depth][mm]	560 x 320 x 410	560 x 320 x 410	560 x 320 x 600	560 x 340 x 600
rack standard	19"			
rack unit height [U]	6			
rack mounting depth [mm]	315		500	
number of rack rails	2x front			
type of cable entry	breakable cable slot / hole cap			
diameter of cable entry [mm]	8x \varnothing 38mm or 8x \varnothing 29mm (4x top / 4x bottom)			60 x 180 (1x top / 1x bottom)
type of door	single door			
front door construction	glass	solid		
removable side panels	NO			
thermostat	NO			
active ventilation	2 spaces for a \varnothing 125mm fan with mounting holes on the side panels			
passive ventilation	2 ventilation holes on the sides, no rear cover			
grounding details	door			
mounting type	indoor, wall-mounted			
temperature resistance [°C]	from -40 to +70			
ingress protection degree IP	IP 20			
impact protection degree IK	IK 10			
flammability class	V0 acc. UL 94			
weight [kg]	~8		~11	
material	powder painted Magnelis® sheet			
available colors	RAL7035			



Wall-Mounted 19" Rack Cabinet
 TPR series - indoor

technical drawings:



order information:

CODE	DESCRIPTION
TPR-560/320/410-S-19"-6U-S-R7035	Wall-mounted rack cabinet 19", TPR-560/320/410-S-19"-6U, indoor, door with plexi, 560x320x410mm (WxHxD), Magnelis®, structured, RAL7035
TPR-560/320/410-P-19"-6U-S-R7035	Wall-mounted rack cabinet 19", TPR-560/320/410-P-19"-6U, indoor, solid door, 560x320x410mm (WxHxD), Magnelis®, structured, RAL7035
TPR-560/320/600-P-19"-6U-S-R7035	Wall-mounted rack cabinet 19", TPR-560/320/600-P-19"-6U, indoor, solid door, 560x320x600mm (WxHxD), Magnelis®, structured, RAL7035
TPR-560/340/600-P-19"-6U-S-R7035	Wall-mounted rack cabinet 19", TPR-560/340/600-P-19"-6U, indoor, solid door, 560x340x600mm (WxHxD), Magnelis®, structured, RAL7035