



## Power Distribution Panel PDN series

The power distribution panel is a universal enclosure designed for installation in 19" ODF cabinets and racks. It allows for the installation of protective devices and electrical equipment in a modular design compatible with the TH35 rail.



visualization of the power distribution panel

### features:

- designed for installation in 19" or 21" (with additional reducers) ODF cabinets and racks,
- perforated TH35 mounting rail with a capacity of 22 modules,
- removable front cover providing protection against accidental contact,
- grounding wire ensuring safety for the installer against electric shock,
- Magnelis® sheet is the only metallic coating certified for use in a C5 environment, which provides durability and protection against corrosion.

### standards and certificates:

- flammability class V0 acc. UL 94,
- PN-EN 62262 - impact protection degree IK 10,
- REACH Regulation No 1907/2006/EC,
- RoHS 2011/65/UE.



visualization of the power distribution panel

*The manufacturer reserves the right to make modifications and improvements to the product.  
Therefore, the products shown in the illustrations and photographs may differ slightly from the actual state.*



## Power Distribution Panel PDN series

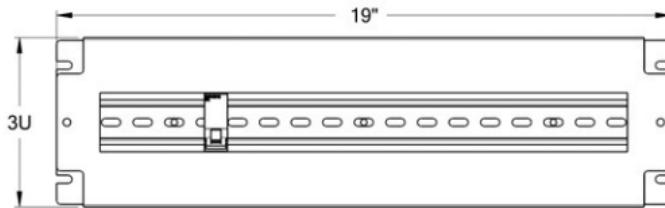
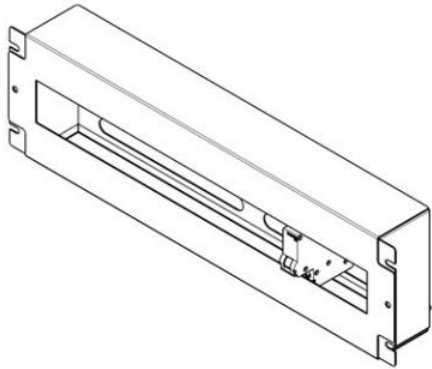
### technical specifications:

PDN-19"	3
dimensions [width x height x depth][mm]	483 x 132 x 70
rack unit height [U]	3
max. number of modules	22
standard	DIN 35 mm mounting rail ( EN 60715 )
mounting type	indoor, inside a rack
temperature resistance [°C]	from -40 to +70
impact protection degree IK	IK 10
flammability class	V0 acc. UL 94
weight [kg]	~1.5
material	powder painted Magnelis® sheet
available colors	RAL7035



## Power Distribution Panel PDN series

### technical drawings:



### order information:

CODE	DESCRIPTION
PDN-19"-3U-70-S-R7035	Power distribution panel PDN-19"-3U-70, TH35, Magnelis®, structured, RAL7035