

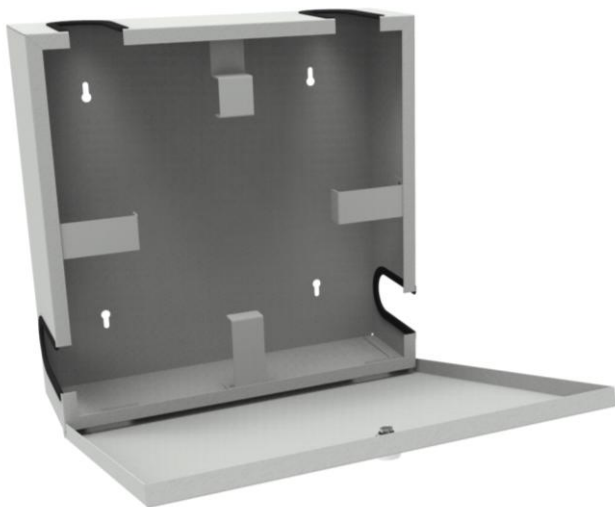


Cable Storage Box ZK series

Cable storage box used for arranging and safely storing fiber optic cables overlength near distribution points, in the telecommunication manholes or cable cellars. It provides protection against external mechanical damage as well as UV radiation.



visualization of the closed ZK cable storage box



visualization of the open ZK cable storage box

features:

- designed for use in a cable room or near distribution points,
- the cable storage box protects the cables from external mechanical damage while provide a safe bending radius,
- integrated handles inside the box facilitate proper arrangement of the cable reserve,
- possibility of mounting on the wall or in the telecommunication manholes,
- the box has a hinged cover locked with a key, key code depending on preferences can be repeatable or different,
- provides additional protection against unauthorized access,
- Magnelis® sheet is the only metallic coating certified for use in a C5 environment, which provides durability and protection against corrosion.

standards and certificates:

- flammability class V0 acc. UL 94,
- PN-EN 60529 - ingress protection degree IP 20,
- PN-EN 62262 - impact protection degree IK 10,
- REACH Regulation No 1907/2006/EC,
- RoHS 2011/65/UE.

The manufacturer reserves the right to make modifications and improvements to the product. Therefore, the products shown in the illustrations and photographs may differ slightly from the actual state.



Cable Storage Box ZK series

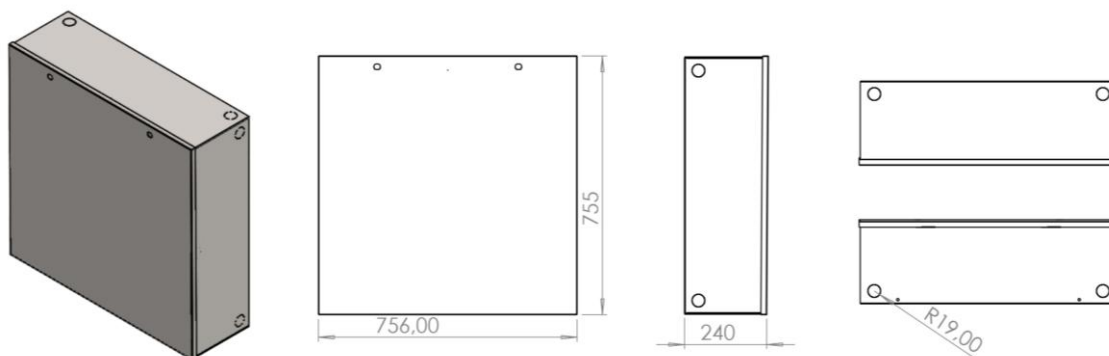
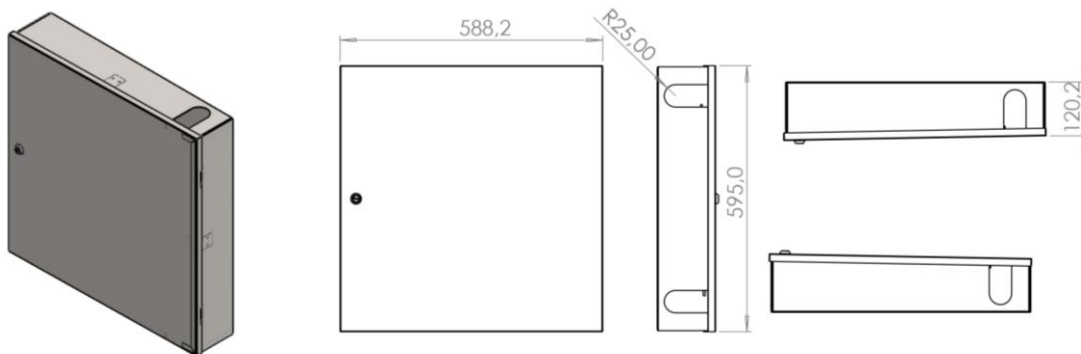
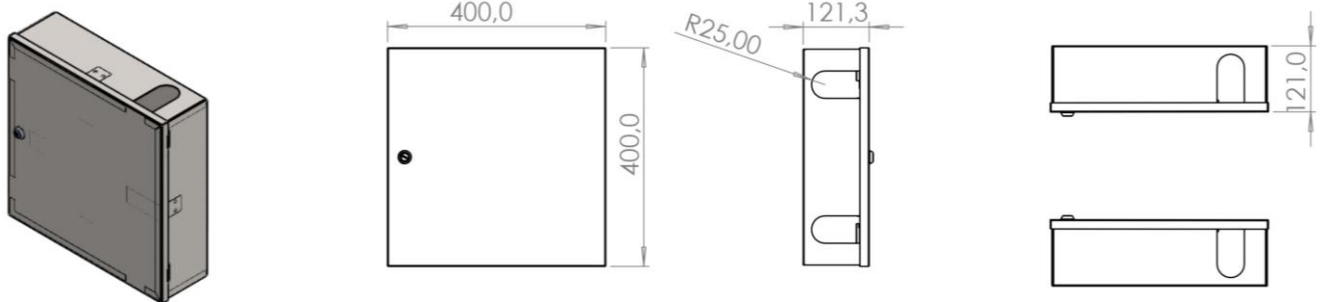
technical specifications:

ZK	40	60	75
dimensions [width x height x depth][mm]	400 x 400 x 120	600 x 600 x 120	750 x 750 x 240
cable storage capacity \varnothing 13,5 mm [m]	30	60	200
type of cable entry	semi-open edge hole		breakable cable slot / hole cap
diameter of cable entry [mm]	\varnothing 50		\varnothing 38
number of cable entries	4		8
mounting type	indoor/outdoor, wall-mounted		
temperature resistance [°C]	from -40 to +70		
ingress protection degree IP	IP 20		
impact protection degree IK	IK 10		
flammability class	V0 acc. UL 94		
weight [kg]	~4.5	~10.5	~28
material	powder painted Magnelis® sheet		
available colors	RAL7035		



Cable Storage Box ZK series

technical drawings:



order information:

CODE	DESCRIPTION
ZK-400/400/120-S-R7035	Cable storage box ZK-400/400/120-S-R7035, 400x400x120mm (WxHxD), Magnelis®, structured, RAL7035
ZK-600/600/120-S-R7035	Cable storage box ZK-600/600/120-S-R7035, 600x600x120mm (WxHxD), Magnelis®, structured, RAL7035
ZK-750/750/240-S-R7035	Cable storage box ZK-750/750/240-S-R7035, 750x750x240mm (WxHxD), Magnelis®, structured, RAL7035