

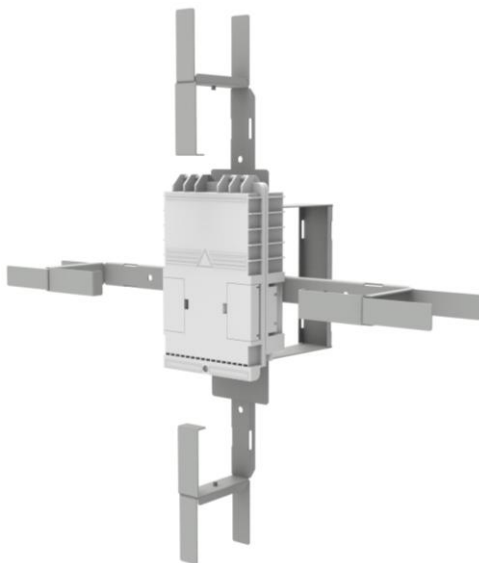


Cable Storage Frame SZK series

Cable storage frame used for arranging and safely storing fiber optic cables overlength on poles and in the telecommunication manholes. It provides a safe storing of the line cable while maintaining the proper bending radius.



visualization of the SZK cable storage frame



visualization of the SZK cable storage frame with additional equipment

features:

- provides a safe storing of the line cable while maintaining the proper bending radius,
- designed for mounting on a wall, pole and in the telecommunication manholes,
- installation of a cable storage frame on a pole using a stainless steel tape,
- the simple design ensures easy and quick assembly, as well as trouble-free access to the stored cabling,
- the holes of the frame allows for the installation of a pole spacer,
- possibility of equipping with a dedicated adapter enabling the installation of a pole-mounted fiber optic enclosures,
- frame is protected by paint with increased resistance to weather conditions,
- Magnelis® sheet is the only metallic coating certified for use in a C5 environment, which provides durability and protection against corrosion.

equipment ordered separately:

- adapter for installation a pole-mounted fiber optic enclosure for the SZK-600/600/120-R7035 version,
- distance arm: 15 cm, 20 cm, 25 cm,
- subscriber cable holders,
- stainless steel tape,
- buckles for stainless steel tape,
- stainless steel banding machine.

standards and certificates:

- flammability class V0 acc. UL 94,
- PN-EN 62262 - impact protection degree IK 10,
- REACH Regulation No 1907/2006/EC,
- RoHS 2011/65/UE.

*The manufacturer reserves the right to make modifications and improvements to the product.
Therefore, the products shown in the illustrations and photographs may differ slightly from the actual state.*



Cable Storage Frame SZK series

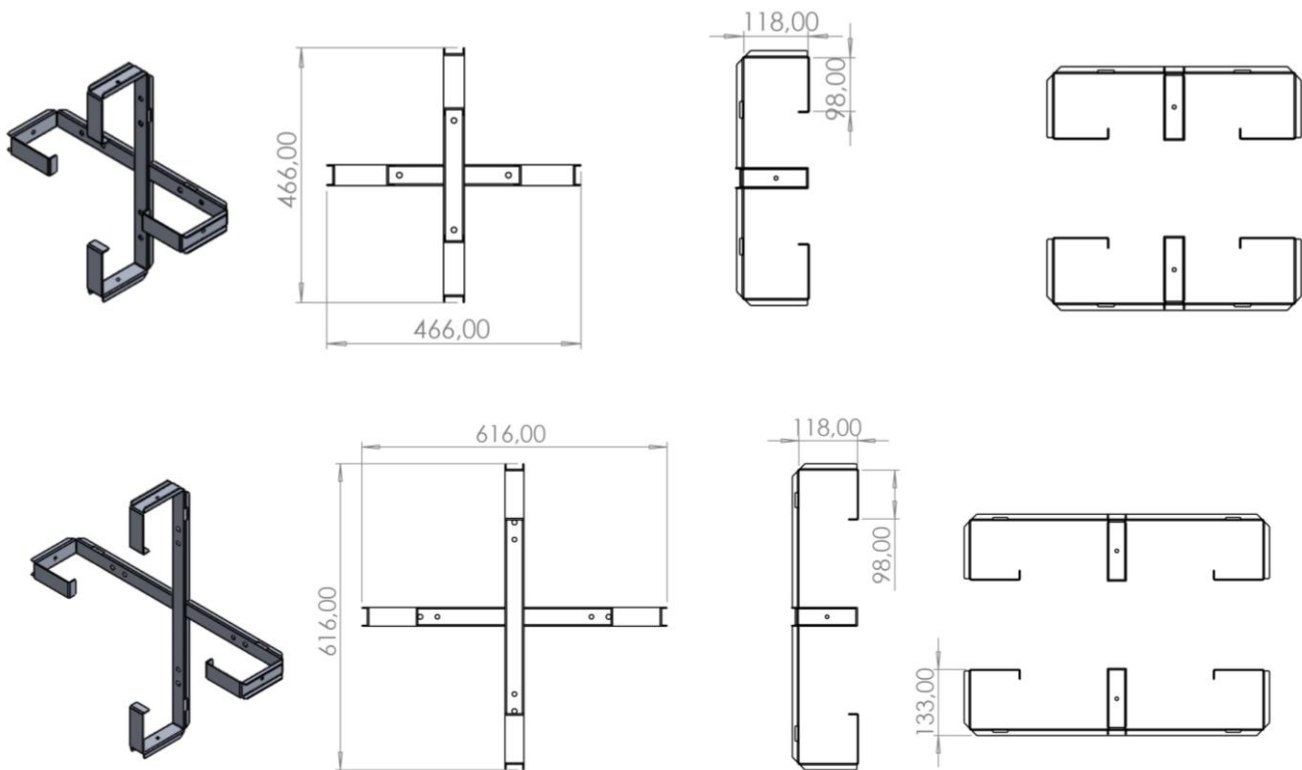
technical specifications:

SZK	45	60
dimensions [width x height x depth][mm]	450 x 450 x 120	600 x 600 x 120
flat bar dimensions [width x thickness][mm]	40 x 2	
cable storage capacity \varnothing 13 mm [m]	35	60
adjustment	NO	
mounting type	indoor/outdoor, wall-mounted/on pole	
temperature resistance [°C]	from -40 to +70	
impact protection degree IK	IK 10	
flammability class	V0 acc. UL 94	
weight [kg]	~0.5	~0.65
material	powder painted Magnelis® sheet	
available colors	RAL7035	



Cable Storage Frame SZK series

technical drawings:



order information:

CODE	DESCRIPTION
SZK-450/450/120-S-R7035	Cable storage frame SZK-450/450/120-S-R7035, 450x450x120mm (WxHxD), Magnelis®, structured, RAL7035
SZK-600/600/120-S-R7035	Cable storage frame SZK-600/600/120-S-R7035, 600x600x120mm (WxHxD), Magnelis®, structured, RAL7035
A-SZK-600-S-R7035	Cable storage frame adapter for mounting a pole-mounted fiber optic enclosure, compatible with SZK-600/600/120-S-R7035, Magnelis®, structured, RAL7035
U-SZK-S-R7035	Subscriber cable holders set, 4 pcs., Magnelis®, structured, RAL7035
D-SZK-150-S-R7035	Cable storage frame distance arm, distance 15 cm, Magnelis®, structured, RAL7035
D-SZK-200-S-R7035	Cable storage frame distance arm, distance 20 cm, Magnelis®, structured, RAL7035
D-SZK-250-S-R7035	Cable storage frame distance arm, distance 25 cm, Magnelis®, structured, RAL7035