

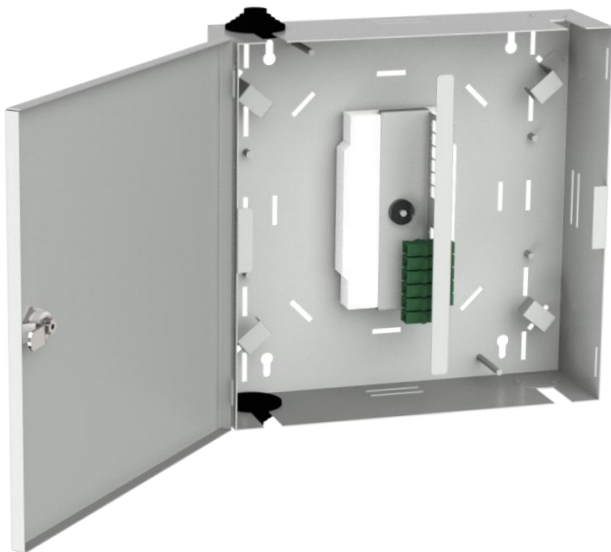


Optical Access Wall Box PD SC simplex series

A wall-mounted fiber optic box used in FTTx indoor optical access networks, mainly in multi-level buildings as an intermediate distribution point. It ensures the connection of optical fibers between individual fibers from vertical cabling to subscribers.



visualization of the closed PD series wall box



visualization of the open PD series wall box

features:

- optical access box provides a compact wall mounted solution for fiber optic network inside the building, ensures the connection between individual fibers from vertical cabling to subscribers,
- possibility of mounting connector standards: SC simplex, E2000 simplex, LC duplex,
- optical distribution box equipped with a single removable door locked with a key, key code depending on preferences can be repeatable or different,
- commutation field, has permanent numbering applied by screen printing,
- comes with dust proof cable entries on the top and bottom of the box,
- possibility of installing mini metal box on the splice cassette,
- possibility of installation loose tube cables without having to disrupt the service (mid-span splicing),
- compact dimensions allow for aesthetic installation of the existing cable installation,
- Magnelis® sheet is the only metallic coating certified for use in a C5 environment, which provides durability and protection against corrosion.

elements of equipment:

- velcro tapes,
- 2x central strength member holder (FRP rod),
- fiber splice cassettes (acc. to configuration).

standards and certificates:

- flammability class V0 acc. UL 94,
- PN-EN 60529 - ingress protection degree IP 41,
- PN-EN 62262 - impact protection degree IK 10,
- REACH Regulation No 1907/2006/EC,
- RoHS 2011/65/UE.

The manufacturer reserves the right to make modifications and improvements to the product. Therefore, the products shown in the illustrations and photographs may differ slightly from the actual state.



Optical Access Wall Box

PD SC simplex series

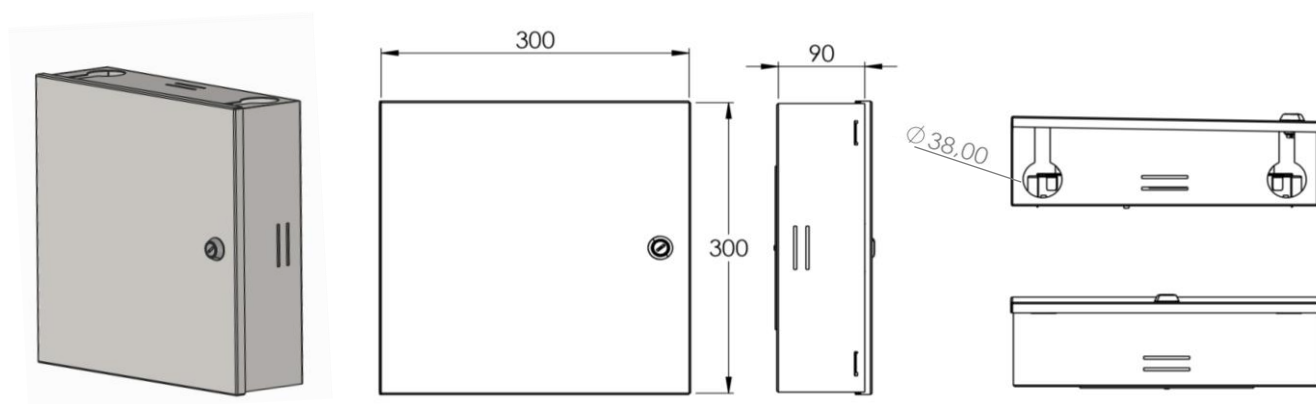
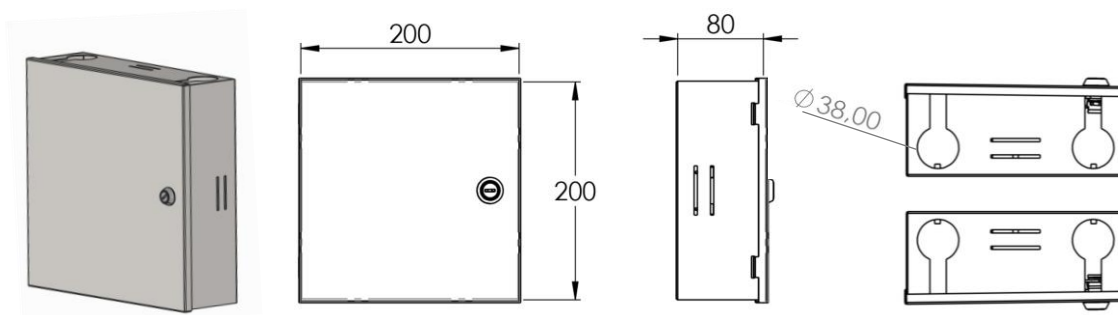
technical specifications:

PD	24	24
dimensions [width x height x depth][mm]	200 x 200 x 80	300 x 300 x 100
number of SC simplex ports	24	
connector standards	SC simplex, E2000 simplex, LC duplex	
type of fiber splice cassette	KS-03-24	
splice cassette capacity [F]	24	
max. number of fiber splice cassettes	2	
max. splice capacity [F]	48	
recommended length of pigtails [m]	2 – 2.5	
type of cable entry	stepped rubber grommet	
diameter of cable entry [mm]	ø 38	
number of cable entries	4 (2x top / 2x bottom)	
mid-span access	YES	
central strength member holder (FRP rod)	YES	
mounting type	indoor, wall-mounted	
temperature resistance [°C]	from -40 to +70	
ingress protection degree IP	IP 41	
impact protection degree IK	IK 10	
flammability class	V0 acc. UL 94	
weight [kg]	~1.3	~3.0
material	powder painted Magnelis® sheet	
available colors	RAL7035	



Optical Access Wall Box PD SC simplex series

technical drawings:



order information:

CODE	DESCRIPTION
PD-200/200/80-24-SCS-0K3-S-R7035	Optical access wall box PD-200/200/80-24-SCS, 24 ports SC simplex, without splice cassettes, 200x200x80mm (WxHxD), Magnelis®, structured, RAL7035
PD-300/300/100-24-SCS-0K3-S-R7035	Optical access wall box PD-300/300/100-24-SCS, 24 ports SC simplex, without splice cassettes, 300x300x100mm (WxHxD), Magnelis®, structured, RAL7035